

Set UP Your Digital TV Converter Box: AS EASY AS 1-2-3

If you've decided to buy a Digital TV Converter Box, it's easy to connect the Converter Box to your TV and start enjoying the added features and superior quality of digital television today.

Step 1: Connect the Antenna to your Converter Box

Digital TV works over-the-air just like analog TV – it relies on your TV antenna to receive the transmissions from your local broadcasters. So just disconnect your TV antenna from the TV and connect it to the "Antenna In" jack on your Converter Box.

Step 2: Connect the Converter Box to your old TV

Next, use the cable that came with your Converter Box to connect the "Antenna Out" jack on the Converter to the "Antenna In" jack on your TV set. (If your set and antenna use a flat wire with two terminals to connect, then you'll need inexpensive adapters for both the antenna and for your TV.)

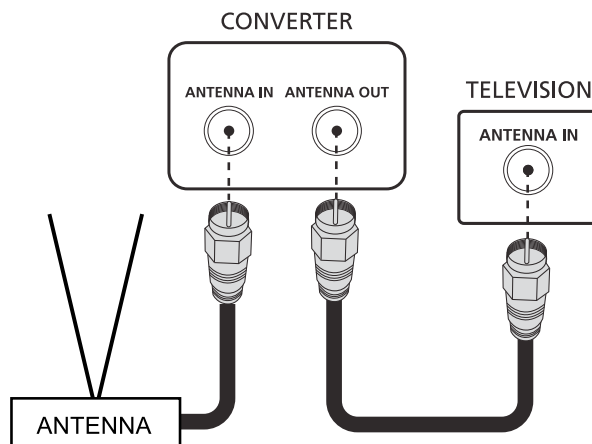
The Converter Box will send the new Digital TV signals to your analog TV on either Channel 3 or Channel 4 (you decide, based on whether or not a local broadcaster is already on that channel.)

Plug your Converter Box into an electrical outlet and insert the batteries that came with the remote control.

Step 3: Turn On, and Tune In

Turn on the Converter Box. Tune your analog TV to the proper input channel (Ch. 3 or 4), and follow the onscreen instructions to do a channel scan. Now you can enjoy your favorite TV programs and new options like local news and weather channels that also come from local broadcasters.

In most cases, Digital TV signals are sent from the same transmission location as analog TV broadcasts. In certain cases, you may find that a different antenna is needed or you might need to re-position your antenna for the best reception of Digital TV signals.



For more information on the Digital TV transition, visit www.DigitalTips.org and www.DTVTransition.org